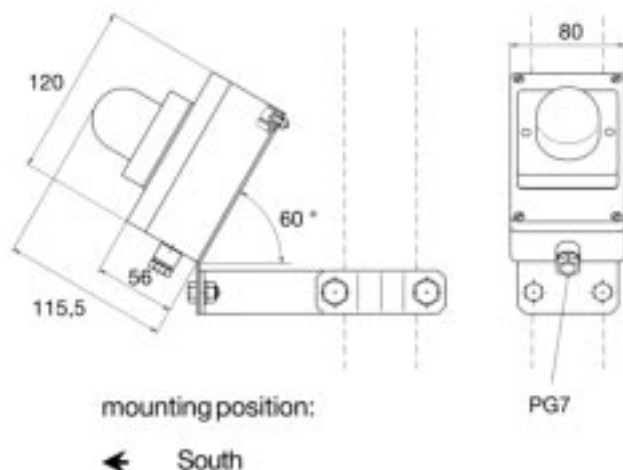




TECHNICAL DATA

Supply voltage	24 Vdc (-20...+30%) 1,2 W
Ambient temp. range	-30...+60°C
Output I (Dusk)	$U_A = 0-10 \text{ Vdc}$ limited to 13 Vdc $= 0-10 \text{ kLux}$ $I_{Amax} = 5 \text{ mA}$
Output II (Light)	$U_A = 0-10 \text{ Vdc}$ not limited up to the max. supply voltage, depending on light intensity $= 0-100 \text{ kLux}$ $I_{Amax} = 5 \text{ mA}$
Housing	PC, grey
Protection class acc. to EN 60529	IP65
Mast mounting	Ø approx. 25-50 mm
Weight, with mast mounting accessories	Approx. 0,5 kg
EMC	EN-50081-1 Emission EN-50082-1 Immunity

DIMENSIONS (mm) / MOUNTING



FEATURES

- Omnidirectional
- Two light level for dusk or daylight
- Suitable for greenhouse

APPLICATION

The omnidirectional light transmitter LGT 010 is used for registering the lighting intensity and its transmission to e.g. shading, heating installation in automatically controlled greenhouses.

Furthermore it is used for shading and light control in building control systems.

The output "dusk" enables a more precise determination of the daylight start and end and so a more specific use of energy savings measures as e.g. set value lowering or raising, heat insulating screen operation and so on.

Furthermore it enables the realization of growth regulation measures such as e.g. the "cool-morning" strategy.

FUNCTION

The omnidirectional light transmitter converts the light intensity of two light measuring ranges into standards signals.

Two separate voltage outputs 0-10 Vdc are assigned to the ranges **0-100 kLux** (daylight) and **0-10 kLux** (dusk).

The light transmitter LGT 010 is constructed in such a way that irrespective of the sun's angle of incidence the actual light intensity is measured.

The light transmitter LGT 010 is supplied with mast mounting accessories.

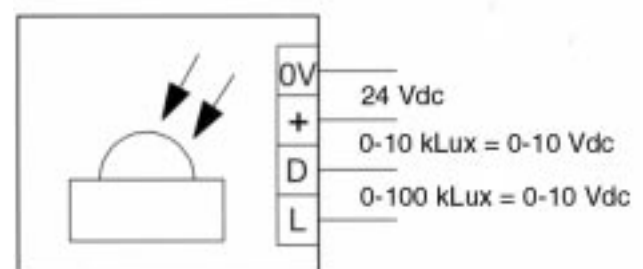
INSTALLATION

The unit must be connected electronically by trained personnel. All valid standards for connecting electrical equipment must be observed. Limit values for the supply voltage of the unit may not be exceeded.

Run all connections to the appropriate terminals in order to avoid inadmissible mechanical stress on the leads, e.g. traction or notching of the lead.

When opening the device all claims for warranty expire.

Cleaning: Clean the dome cover with clear water if required.



ORDER

LGT 010 Light level omnidirectional transmitter