



Fire Smoke Damper Actuator On/Off Spring Return 8Nm

RAF 8

Jan.10



☐ RAF8

Features

- 8Nm torque to regulate dampers up to approx. 1,5m²
- 2 pcs auxiliary potential-free switches, fixed
- Manual Override by crank handle
- Anti-rotation bracket provided for stability
- Adjustable angle of rotation, mechanical endstops
- Simple Direct mounting by universal adapter
- Available with 1 m cable connection
- Energy saving at end stops
- Thermal sensor when requested
- Hold safe position in case of high temperature

Technical Data

Power Supply	24Vac/dc +/-10% 50-60Hz	
	230Vac +/-10% 50-60Hz	
Power Consumption		
Operating	7,0W for 24V	8,0W for 230V
At the end stops	2,0W for 24V	5,5W for 230V
Wire sizing	10VA	
Angle of Rotation	90° (95° mechanical)	
Torque	Min. 8Nm	Spring min. 8Nm
Protection Class	IP54 and II	
Auxiliary Switch Rating	3A(1,5A)@ for 24V and 230Vac	
Direction of Rotation	Bidirectional (right/left)	
Angle of Rotation	90°(95° mechanical)	
Shaft Dimension	Form Fit 12mm square (incl.adapter 8 /10mm square) 10mm minimum shaft length	
Running Time	75-95sec <25sec of spring back	
Noise Level	Below 45dB (A)	
Usage Life	Min. 60'000 open-close operations	
Inventory Temperature	+70° as per 721-3-2	
Thermal Temp.Trip	>72°	
Ambient Temperature:	-20...+ 50°C	
Ambient Humidity:	5...95%rH non-condensing	
Weight	2,2 resp. 2,3	
Maintenance	Maintenance free	
Standards	The actuators meet CE requirements	

Short Description

By using the mounting clamp the actuators can be direct couple mounted over the damper shaft

The compact size allows for easy installation where space is limited.

Damper Size

When calculating the torque required to operate dampers, it is essential to take into account all the data supplied by the damper manufacturer concerning cross sectional area, design, mounting and air flow conditions.

The recommended damper size are guide values

Usage

The RAF8 spring return damper actuator series are designed specially for Fire and Smoke application.

The RAF8 high quality damper actuators are developed for use with fire and smoke dampers.

The actuator motorized the damper or other devices when power on and spring back to it original position when power is cut off or trip by the thermal sensor.

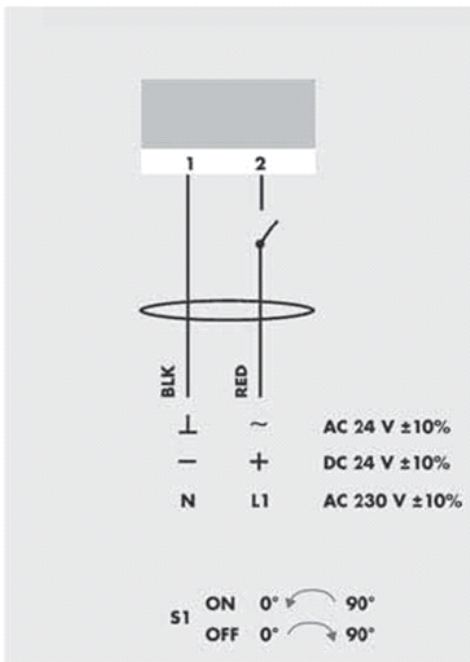
When temperature reaches 72 degree the damper is closed.

The actuator can be controlled by a suitable handle.

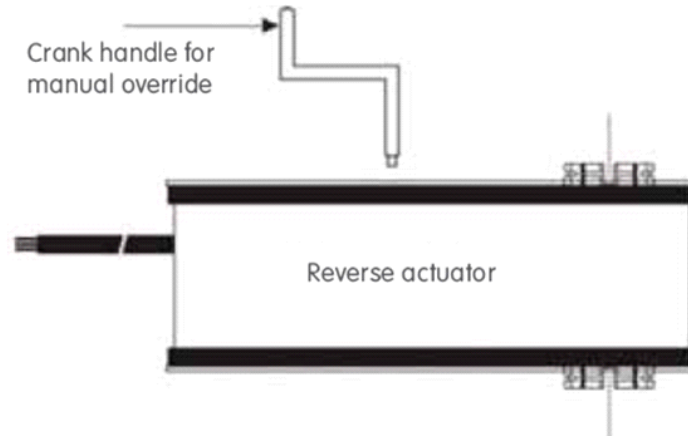
Well-suited for applications with security dampers used as anit-freze, antismoke or for sealing in the hygienic-sanitary field.

Ordering

RAF8 24D	Fire Smoke Actuator	8Nm	24Vac/dc
RAF8 230D	Fire Smoke Actuator	8Nm	230Vac
RAF8 24DS2	Fire Smoke Actuator	8Nm	24Vac/dc c/w Thermal Sensor
RAF8 230DS2	Fire Smoke Actuator	8Nm	230Vac c/w Thermal Sensor



Direction of rotation setting



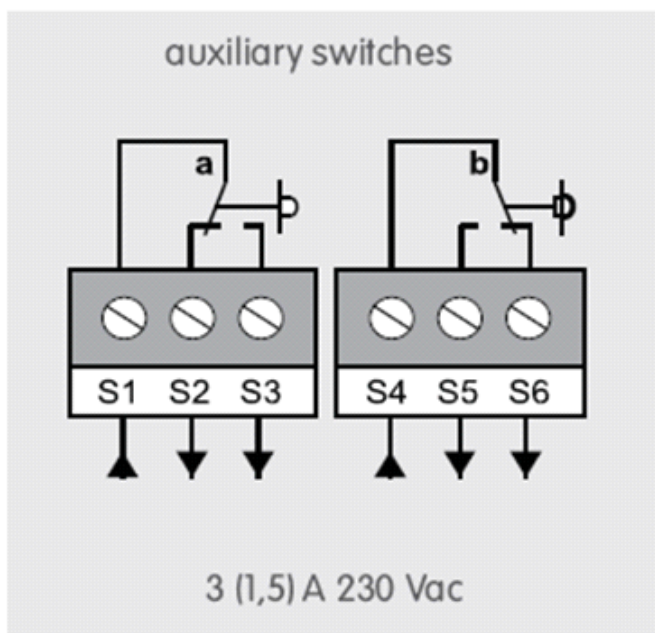
Auxiliary switches setting

Factory setting:

switch **a** fixed at 5°.

switch **b** fixed at 85°.

The switches are not adjustable



S1=Yellow

S2=Green

S3=Blue

S4=Purple

S5=Grey

S6=White

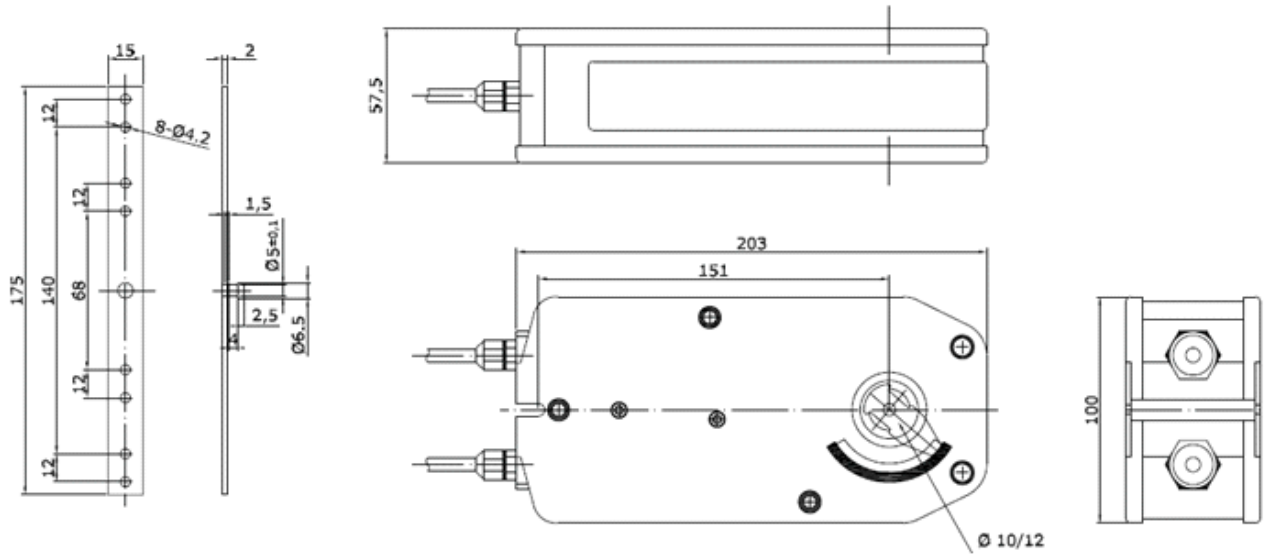


Fire Smoke Damper Actuator On/Off Spring Return 8Nm

RAF 8

Jan.10

DIMENSIONS (mm)



Thermal sensor

