



Electrical Explosion Proof actuators

Catalogue 2008

Series KED

- ✚ *Duct or wall mounting*
- ✚ *Switching point at 72°C or 95°C*
- ✚ *Test button*
- ✚ *IP 66*

Applications

Passive thermoelectric tripping device for fire-damper in hazardous area

Features

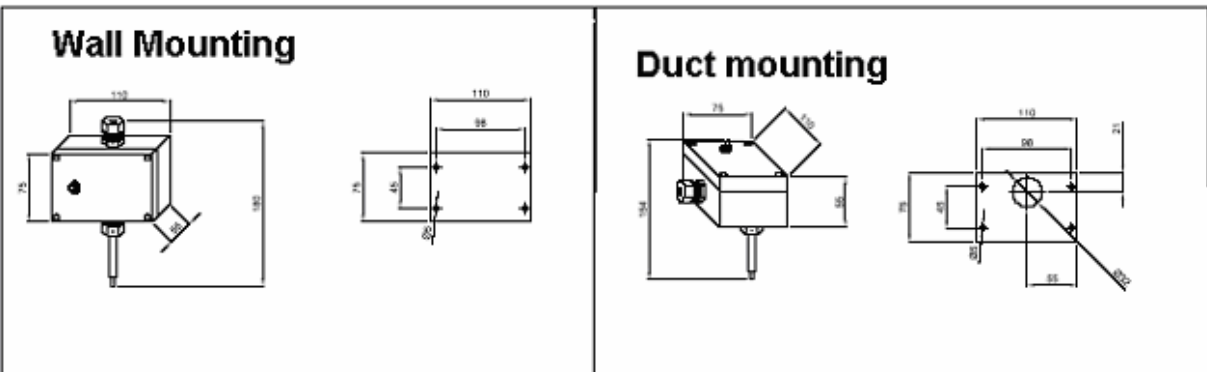
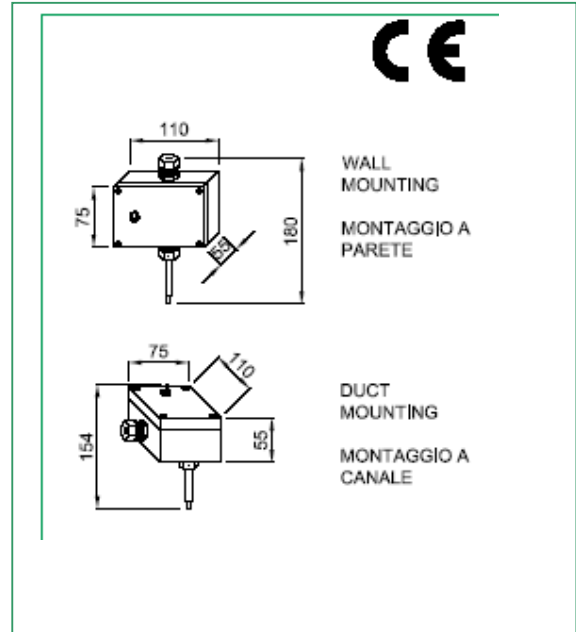
Thermo-electric tripping device in enclosure for wall or duct mounting.

The device interrupts an intrinsically safe circuit in the hazardous area when the temperature exceeds the nominal value of the sensor.

Products range

ITEMS	Switching point	Execution
KEDXTFDU0001	72° C (+0 -3° C)	Duct
KEDXTFWA0001		Wall
KEDXTFDU0002	95° C (+0 -3° C)	Duct
KEDXTFWA0002		Wall

The passive thermoelectric tripping device series KED can be used in hazardous area if connected to the intrinsically safe unit Series PXE.

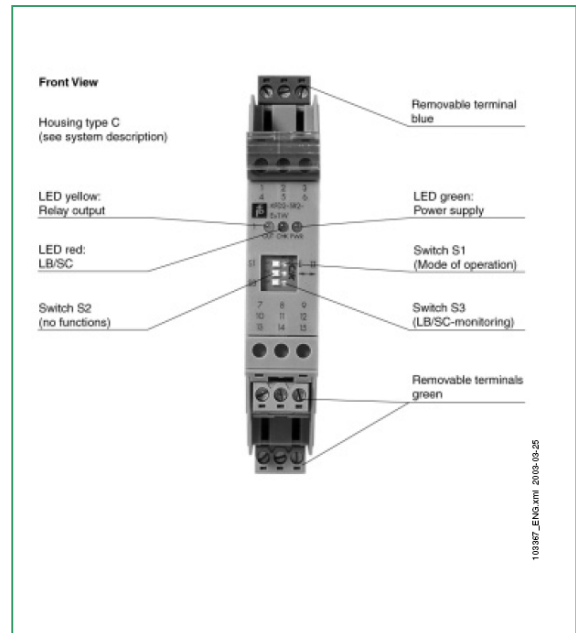




Electrical Explosion Proof actuators

Catalogue 2008
Series PXE

- ⚡ 24V or 230V
- ⚡ 1 channel
- ⚡ Reversible mode of operations
- ⚡ 1 relay output with 1 changeover contact
- ⚡ EMC acc. To NAMUR NE 21
- ⚡ Usable up to SIL 2 acc. To IEC 61508



Features

The transformer isolated barrier transfers digital signals from the hazardous area. Sensors per DIN EN 60947-5-6 (NAMUR) and mechanical contacts may be used as alarms. Control circuits are monitored for lead breakage (LB) and short circuit (SC). The external faults are indicated according to NAMUR NE44 by a red flashing LED. For type KFD2-SR2- Ex1.W, an LB/SC collective error message is in addition transferred through the Power Rail to the power feed module. The intrinsically safe input is per DIN EN 50020 safely isolated from the output and the power supply. The relay output is in accordance with IEC 61140 safely isolated from the power supply.

ITEMS	Power Supply
PXEPP103367	24 V
PXEPP103374	230 V

Typical wiring connection

